

INSTALLATION INSTRUCTIONS FOR YOUR NEW FREE-STANDING ELECTRIC RANGE

Before you begin - Read these instructions completely and carefully.

IMPORTANT - Save these instructions for local inspector's use.

IMPORTANT - OBSERVE ALL GOVERNING CODES AND ORDINANCES.

Note to Installer - Be sure to leave these instructions with the Consumer.

Note to Consumer - Keep these instructions with your Use and Care Book for future reference.

SAFETY



CAUTION:

For Personal Safety remove house fuse or open circuit breaker before beginning installation. Failure to do so could result in serious injury or even death.

Be sure your appliance is properly installed and grounded by a qualified technician.



WARNING:

To reduce the risk of tipping the appliance, the appliance must be secured by properly installed anti-tip device packed with the appliance.

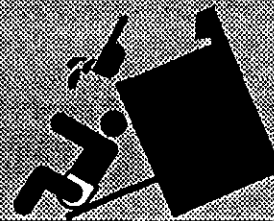
All rough-in and spacing dimensions must be met for safe use of your range. Electricity to the range can be disconnected at the outlet without moving the range if the outlet is in the preferred location (remove lower drawer).

To reduce the risk of burns or fire when reaching over hot surface elements, cabinet storage space above the cooktop should be avoided. If cabinet storage space is to be provided above the cooktop, the risk can be reduced by installing a range hood that sticks out at least 5" beyond the front of the cabinets. Cabinets installed above a cooktop may be no deeper than 13".



WARNING

- ALL RANGES CAN TIP
- INJURY COULD RESULT
- INSTALL ANTI-TIP DEVICE PACKED WITH RANGE
- SEE INSTRUCTIONS



STABILITY DEVICE

TOOLS NEEDED:

Phillips head screwdriver

1 3/8" open end or adjustable wrench

Bracket attaches to floor or wall to hold either right or left rear leg leveler. If fastening to floor, be sure that screws do not penetrate electrical wiring or plumbing. If this cannot be determined, use shorter screws that will not penetrate through flooring.

If the bracket came with your range, it is shipped attached to the lower range back. Remove and discard the shipping screw that holds the bracket and then follow instructions below.

1. Decide whether the bracket will be installed on the right or left side of range location.

(Stability device instructions continued...)

2. If the bracket side of the range is adjacent to a cabinet, place the bracket against back wall and cabinet as shown in Figure 1.
If there is no adjacent cabinet, determine where the location of the range side (painted outside panel) will be. Place the bracket with its outside edge at this location and against back wall. See Figure 1.
3. Determine whether you will anchor the bracket to the floor or wall. Fasten the bracket securely with the screws provided. Screws are self-drilling in wood, plywood, particle and chip board, and most metal framing. If attaching to masonry you can buy suitable screws and anchors at hardware stores. Use a masonry drill to drill the required holes.

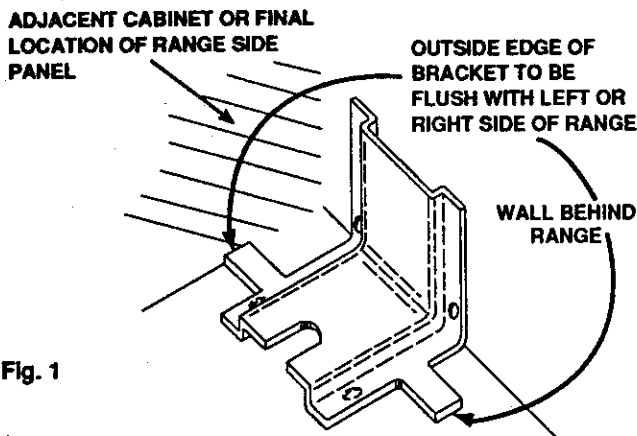
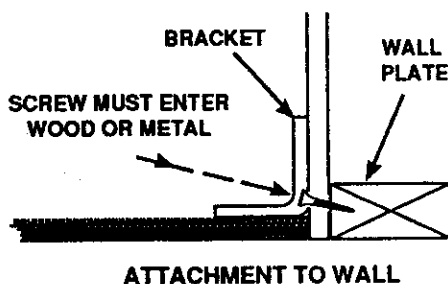


Fig. 1

4. Slide the range into place. Be sure rear leg leveler fully engages slot in bracket. If range cannot be moved back far enough for rear leg leveler to enter bracket, move bracket forward as required and attach to floor in new location.
5. If appliance is removed for cleaning or any other reason, check to make sure bracket is re-engaged. A risk of the range tipping over may result from abnormal usage, including excess loading of oven door, if the bracket is not re-engaged properly.



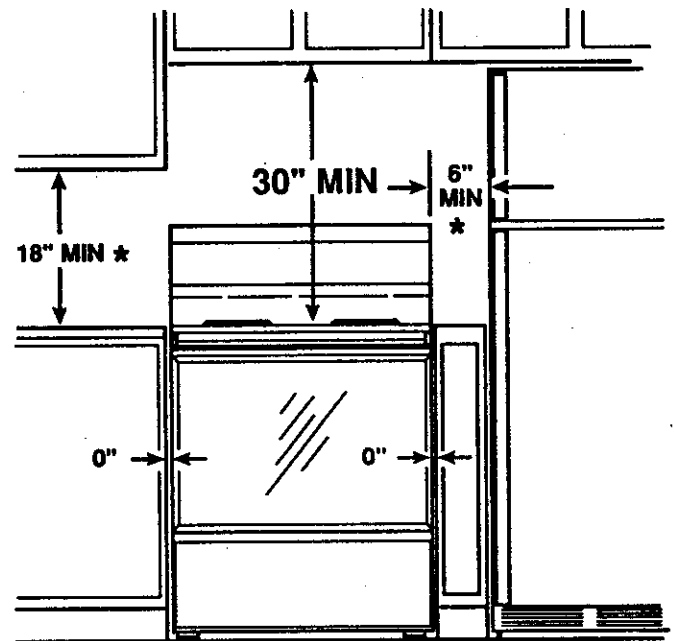
TOOL LIST

- Phillips head screwdriver
- 1 3/8" open end or adjustable wrench
- 1/4" Hex Head screwdriver

MINIMUM CLEARANCES

See Figures 2 and 3 for all rough-in and spacing dimensions.

The range may be placed with 0" clearance (flush) at the back wall and side walls of the range if the front edges of the range side panels stick out beyond the cabinet fronts at least 1/4". See Fig. 3.



MINIMUM DIMENSIONS BETWEEN COOKTOP, WALLS, AND ABOVE COOKTOP

* RECOMMENDED SPACING TO HEAT SENSITIVE SURFACES.

Fig. 2

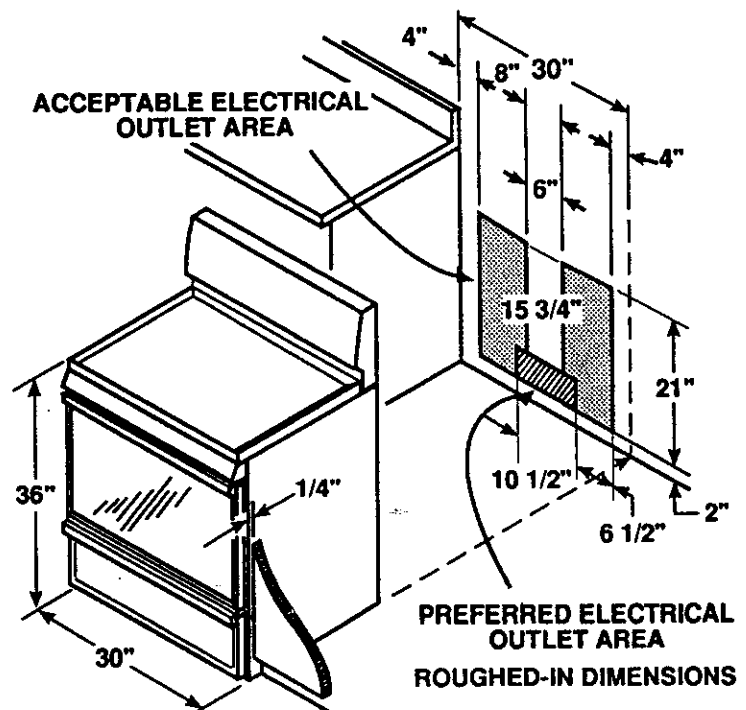


Fig. 3

PREPARATION

Remove all tape and packaging. Remove clear plastic film that covers some parts (around glass oven doors, side trim) and any tape or packaging from inside the oven.

Remove the accessory pack from the oven.

Check to see if any range parts have come loose during shipping.

ELECTRICAL REQUIREMENTS

This appliance must be supplied with the proper voltage and frequency, and connected to an individual, properly grounded branch circuit, protected by a circuit breaker or time delay fuse, as noted on rating plate.

Wiring must conform to National Electrical Codes. If the electric service provided does not meet the above specifications, call a licensed electrician.

You can get a copy of the National Electrical Code, ANSI/NFPA No. 70-Latest Edition by writing:

National Fire Protection Association
Battery March Park
Quincy, MA 02269

Effective January 1, 1996, the National Electrical Code requires that new or rewired construction utilize a four-conductor connection to an electric range. When installing an electric range in a new construction, follow the instructions in NEW CONSTRUCTION AND FOUR-CONDUCTOR BRANCH CIRCUIT CONNECTION.

If you fail to wire your range in accordance with governing codes, you may create a hazardous condition.

You must use a three-wire, single-phase AC 120/240 Volt or 208Y/120 Volt, 60 Hertz electrical system to operate your range.

Use #8 gauge wire and 40 Amp fuse or circuit breaker for 120/240 Volt and 208Y/120 Volt systems.

The range connector block is approved for copper wire connection only. If you are connecting to aluminum house wiring, you must use special UL approved connectors for joining copper to aluminum.

TO MAKE ELECTRICAL CONNECTION:

- Remove the junction block access cover (on range back). See Fig. 4A or Fig. 4B. Some models will have a one-piece wire cover as shown in Fig. 4B. When reinstalling the one-piece wire cover, make sure that wire does not become pinched between wire cover and mainback.

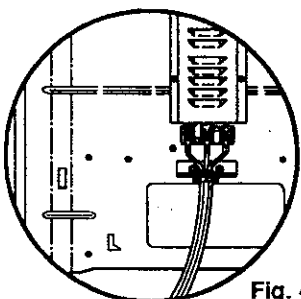


Fig. 4A

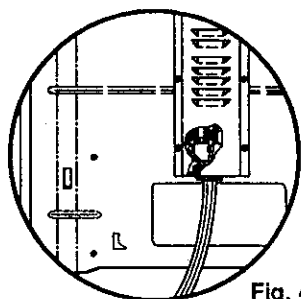
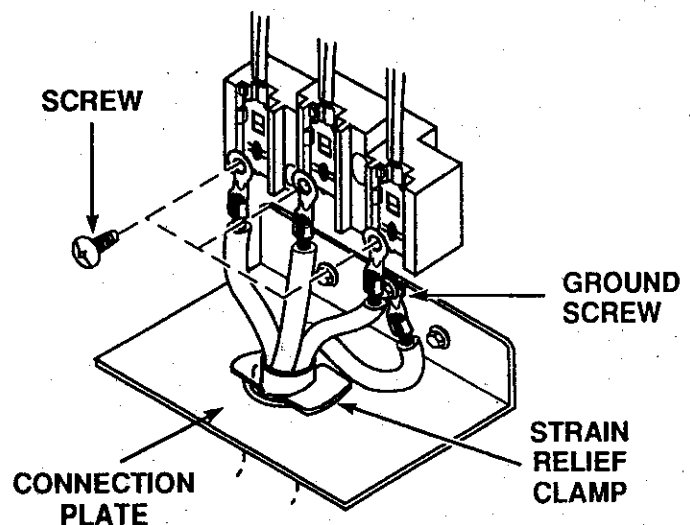


Fig. 4B

- All new constructions, mobile homes and installations where local codes do not allow grounding through neutral, require a four-wire flexible cord kit. If the range is rated between 8,750 and 16,500 watts, the cord kit must be rated for 40 amps-125/250 volts. If the range is rated between 16,501 and 22,500 watts the cord kit must be rated for 50 amps-125/250 volts. For existing construction, a three-wire flexible cord kit may be used, and the same ratings apply as described above.
- When using a cord kit rated 40 Amps, remove the next to outermost knockout (1 3/8" diameter) in the connection plate. Likewise, when using a cord kit rated 50 Amps, remove the outermost knockout (1 3/4" diameter) in the plate.
You must use a clamp or strain relief to hold the cord.
- Terminations must be either closed loop terminals or open end spade lugs.

FOUR-WIRE CORD CONNECTION KIT

- Remove the screws on the junction block studs.
- Remove the ground screw, then remove the ground strap.
- Install the four-wire cord kit and strain relief in the hole in the connection plate.
- Connect the red and black leads to the outside terminals and white lead to the center terminal.
- Attach the green lead below the junction block with the ground screw that was removed earlier.
- Push the cord upward (to relieve strain), while tightening the strain relief clamp.



THREE-WIRE CORD CONNECTION KIT

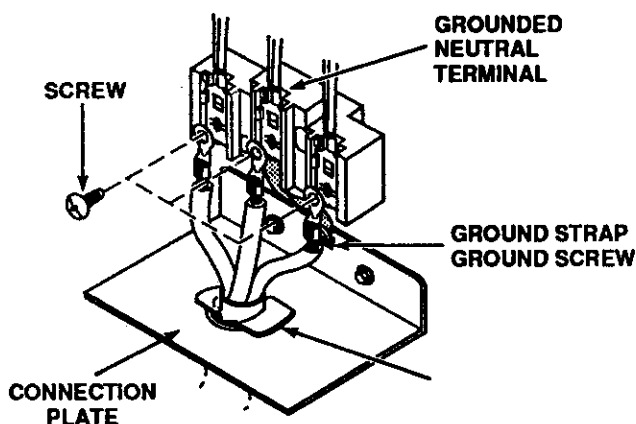
Remove the screws on the junction block studs. Install the three-wire cord and the strain relief in the hole in the connection plate.

Connect the red and black leads to the outer terminals and the white lead to the center terminal.

Push the cord upward (to relieve strain), while tightening the strain relief clamp.

If local codes require an ungrounded neutral:

- Remove ground strap.
- Fasten the white wire to the center terminal.
- Use grounding terminal or lead to ground unit in accordance with local codes.

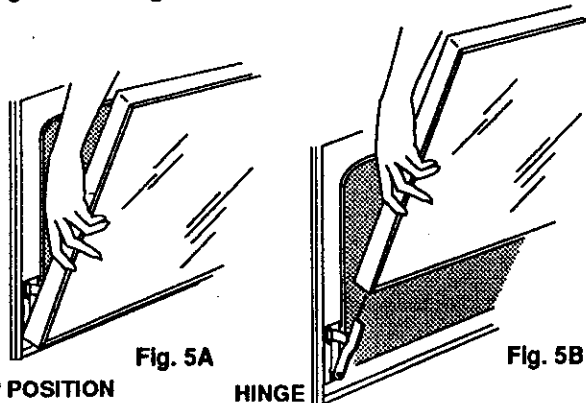


OVEN DOOR REMOVAL

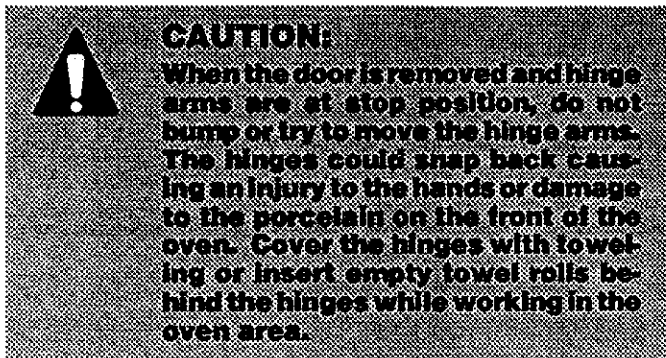
Before installing the range, you may remove the oven door to lessen the weight of the unit. **DO NOT** lift unit by door handle.

To remove oven door:

1. Open the door to the stop position. See Fig. 5A.
2. Grasp the door at each side and lift up and off the hinges. See Fig. 5B.



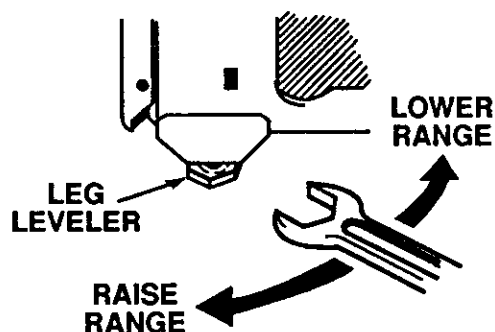
SR10095
Pub. No. 31-10059
INT308-3



LEVEL THE RANGE

Using the wrench, back out the four leg levelers at least two turns. See your installation guide for more leveling information before positioning range.

The range must be level for proper cooking and baking. Install the oven racks (see Owner's Manual for instructions).



Use a 1 3/8" open end wrench or an adjustable wrench to equally back out the four leg levelers two or three turns each.

